

SPECIFICATIONS

DAMEN Stan Launch[®] 804s

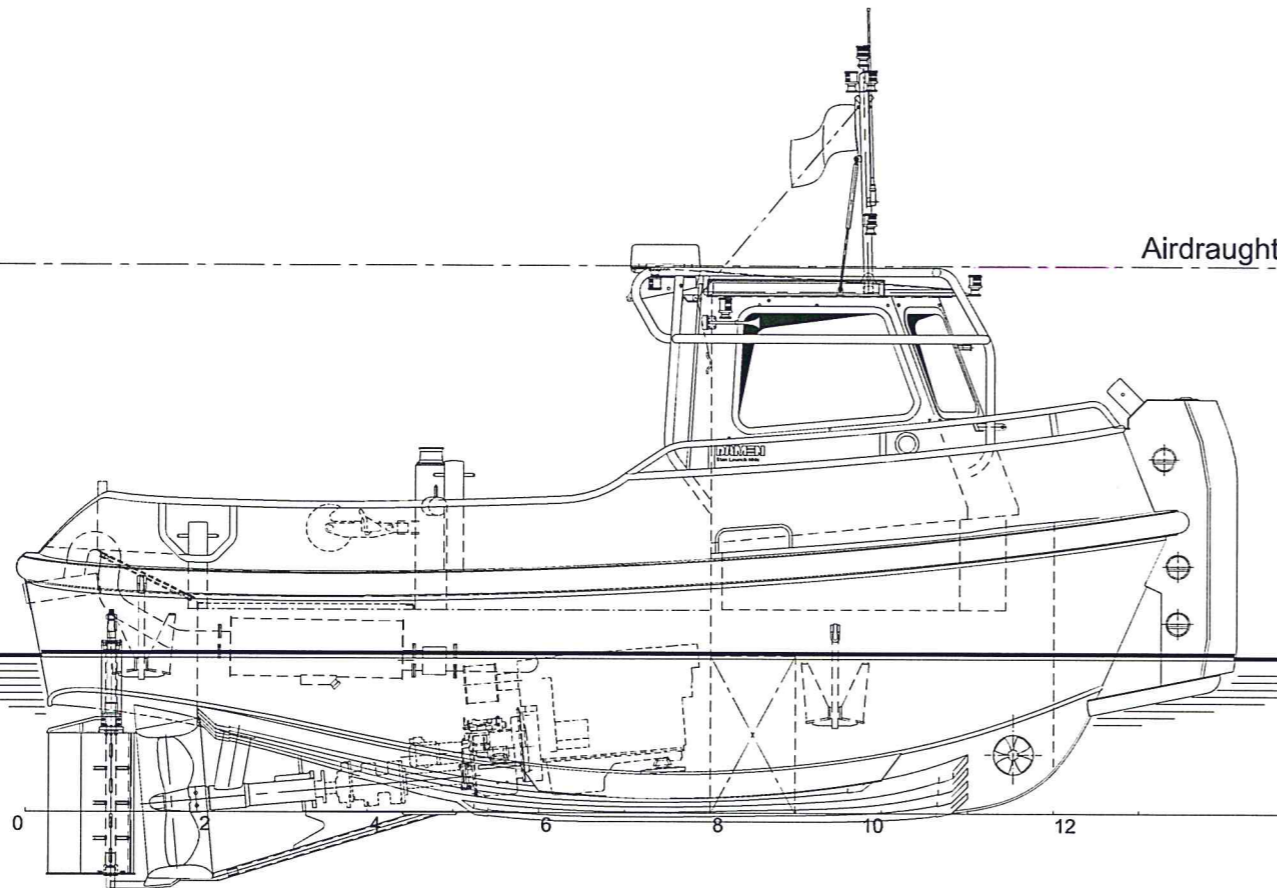
Single Screw Launch



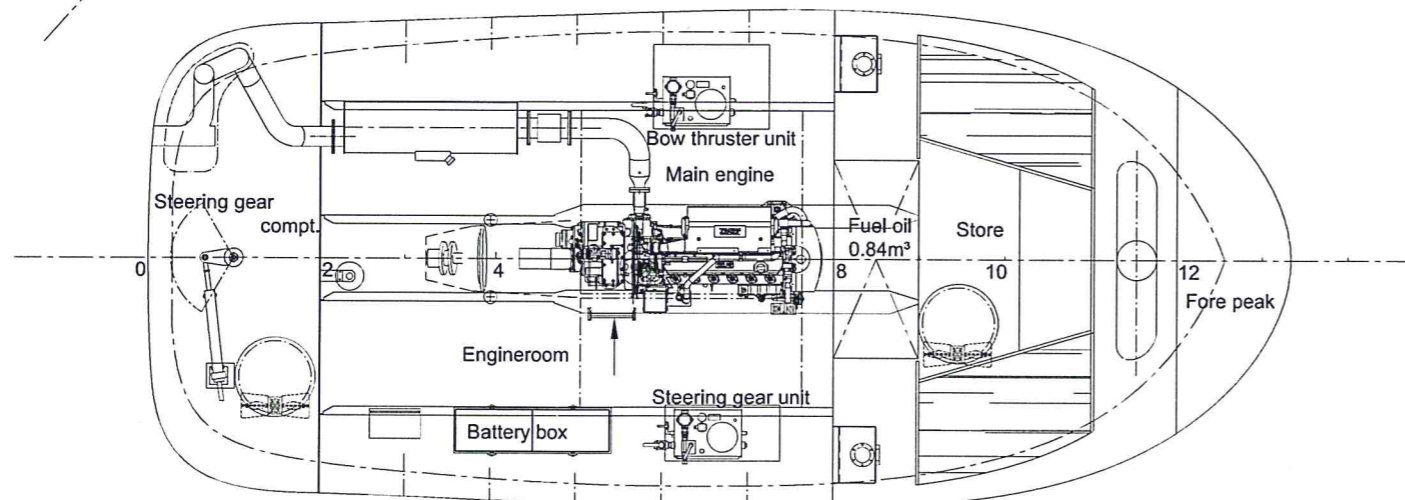
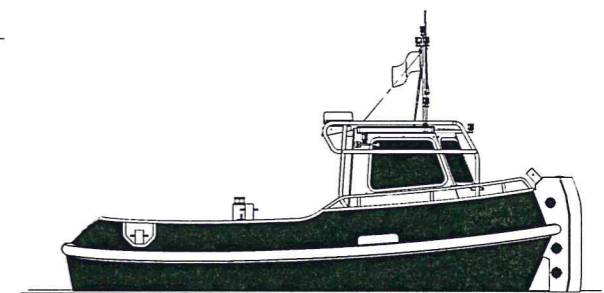
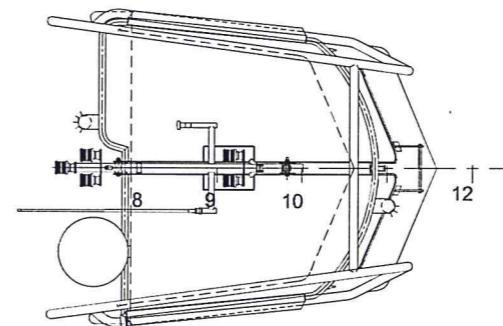
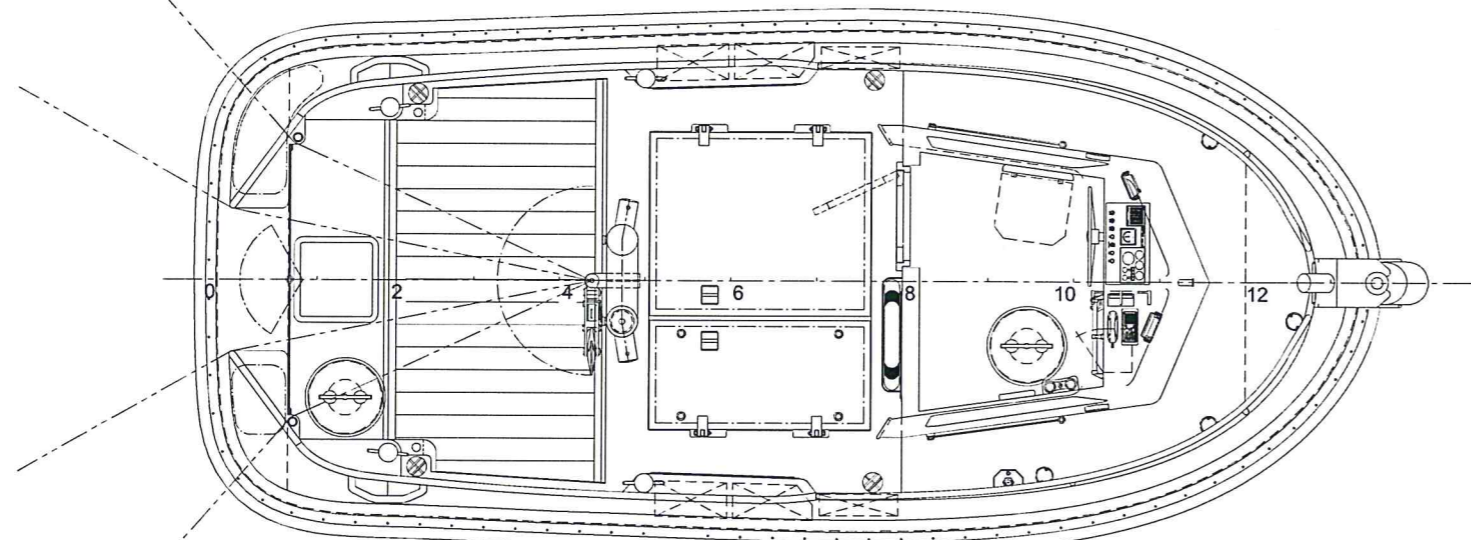
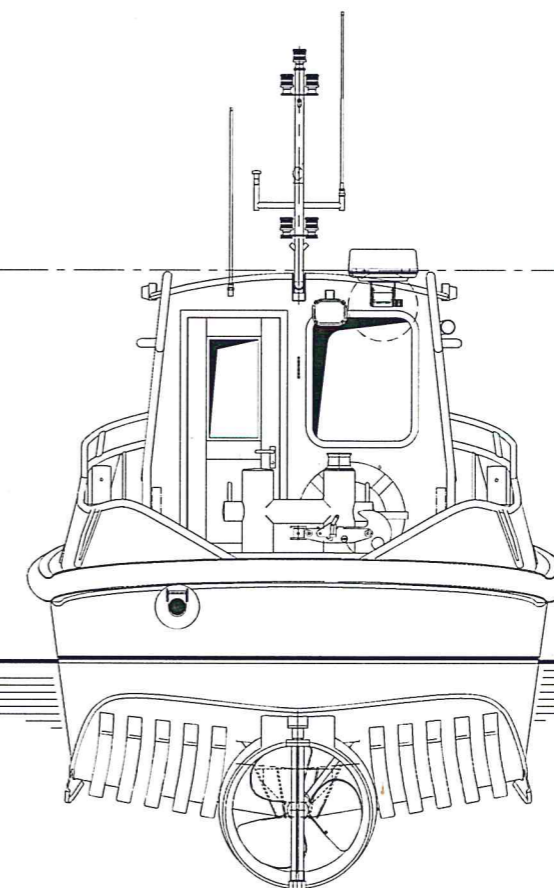
Specification Number M4403 (SC 241045) - Stan Launch 804s – Spec dated 2014.04.01

General Arrangement Plan No. M4403 – Stan Launch 804s – GA 001 dated 2014.03.17

© The drawings and specifications contained herein shall not be reproduced in whole or in part without written permission from Damen Shipyards, Gorinchem, The Netherlands.



Airdraught ± 2.75 m



Damen Stan Launch 804s

Main dimensions:

Length o.a.	8.62 m
Beam o.a.	3.82 m
Depth at sides	1.42 m
Draught aft (approx.)	1.62 m

B 06-05-2014 PM		Remarks	
A 17-03-2014 PM		Remarks	
REVISION	DATE	DRWN	CHECKD
PRELIMINARY			
COPYRIGHT DAMEN SHIPYARDS GROUP		DAMEN SHIPYARDS GORINCHEM	
Maaskant Shipyards Stellendam		Industrieterrein Aelzingen West 20 P.O. Box 1 4200 AA Gorinchem The Netherlands	
DRAWN	LdJ	FORMAT	A2 PROJECTION
CHECKED		SCALE	1:5
APPROVED		DATE	02-05-2014
GENERAL ARRANGEMENT			
TYPE	Stan Launch 804s	DERIVED FROM DWG	
COMP NO	SECT NO	YARD NO contractor	500506+7
		YARD NO building yard	615 + 616
DWG NO	500806-000-100		SHEET REVISION
			B